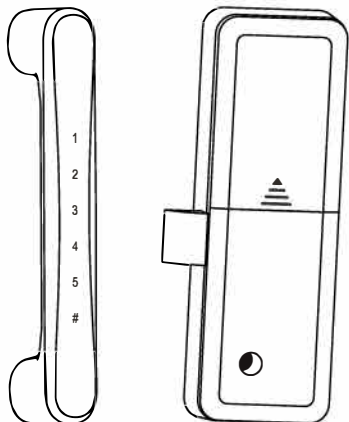


INSTRUCTION MANUAL

Electronic Slam Lock Handle "Mati"



Contents

1. The Main Functions
2. Operation instruction
3. Initial State
4. Adding and Modifying Admin Password
5. Adding Normal User Passwords
6. Deleting All Passwords
7. Turning the Buzzer Function on/off
8. Emergency power supply function
9. Low-battery reminder function

1. The Main Functions

- 1.1. 1.1 Supports adding up to 20 sets of passwords (6-8 digits).
- 1.2. Touchscreen button ,supports virtual password function.
- 1.3. Easy and convenient to install.
- 1.4. Ultra-low power consumption , long standby time;
Type-C port for emergency power supply.
- 1.5. Wide application range, suitable for drawers, wardrobes,
cabinets, wine cabinets, shoe cabinets, file cabinets, etc.

2. Operation Instruction

- 2.1. Only 1 set of administrator password ,20 sets of normal user passwords.
- 2.2. Every time a touch is detected, the RGB three-color light will fully illuminate (appearing as white light). After 0.5 seconds, the buzzer will beep once, indicating a valid touch.

3. Initial State

- 3.1. In the factory state, press any key from 1 to 5 + # to unlock.
- 3.2. If the lock is in the locked state, the white light will flash twice , the bolt will retract. After 5 seconds, the bolt will extend.
- 3.3. If the lock is in the unlocked state, the green light will stay on for about 1 second, and the bolt will extend.

4. Adding and Modifying Admin Password

- 4.1. Press the touch buttons in sequence: #1#
- 4.2. The blue light will start flashing. At this point, you need to enter the correct admin password. If no admin password has been entered before, the initial password is 123123#.
- 4.3. If the password is entered correctly, the blue light will switch to a steady on state. (If the password is incorrect, the red light will flash twice, followed by the blue light continuing to flash.)
- 4.4. At this point, you need to enter a new 6-10 digit admin password twice (if the password length exceeds 13 digits, the red light will flash twice). After successful entry, the green light will flash three times and the buzzer will emit a long beep, indicating that the administrator's password has been modified successfully.
- 4.5. After 11 failed administrator verification attempts, the system will emit three "di-di-di" beeps to indicate exit from the function.

5. Adding Normal User Passwords

- 5.1. Press the touch buttons in sequence: #2#.
- 5.2. If no admin password has been entered before, the buzzer will beep twice and the red light will flash twice, then exit directly.
- 5.3. If an administrator password has been entered, the blue light will flash. At this point, you need to enter the correct administrator password.

- 5.4. If the password is entered correctly, the blue light will switch to a steady on state. (If the password is incorrect, the red light will flash twice, followed by the blue light continuing to flash.)
- 5.5. Next, enter a 6-10 digit password twice. After successful entry, the green light will flash three times and the buzzer will emit a long beep, indicating that the regular user password has been added successfully.
- 5.6. If the admin password verification fails during the process, the red light will flash twice and the buzzer will beep twice.

6. Deleting All Passwords (Including Admin Password)

- 6.1. Press the touch buttons in sequence: #3#.
- 6.2. If no administrator password has been entered before, the green light will flash three times and the buzzer will emit a long beep.
- 6.3. If an admin password and user passwords have been entered, the red light will flash. At this point, you need to enter the correct admin password.
- 6.4. If the password is entered correctly, the green light will flash three times and the buzzer will emit a long beep. If the admin password is incorrect, the buzzer will beep twice.

7. Turning the Buzzer Function on/off

- 7.1. Press the touch buttons in sequence: #5#.
- 7.2. The blue light will start flashing. Enter the 6-10 digit admin password, and the green light will flash 3 times while the buzzer emits a long beep.
- 7.3. If the buzzer is off at this time, it will turn on. If it is on, it will turn off.

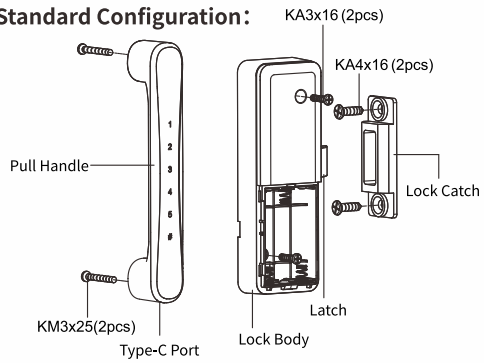
8. Emergency power supply function

- 8.1. If the device has insufficient power, a Type-C interface charging cable can be inserted for emergency power supply.
- 8.2. If emergency power supply is continuously connected, the buzzer will beep 5 times quickly every 10 seconds, and the device will remain awake to remind the user to unplug the emergency charging cable.

9. Low-battery reminder function

- 9.1. When the battery voltage is lower than 4.1V, after entering the correct password, the buzzer will beep once and the red light will flash five times to remind the user that the battery is low and needs to be replaced in time.

Standard Configuration:

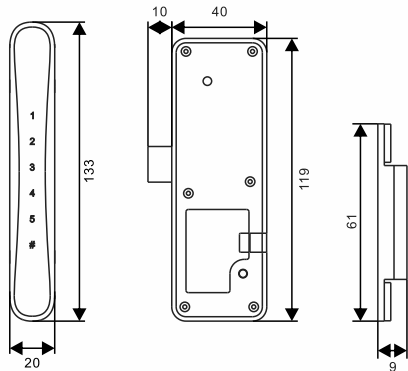


Optional Accessories:

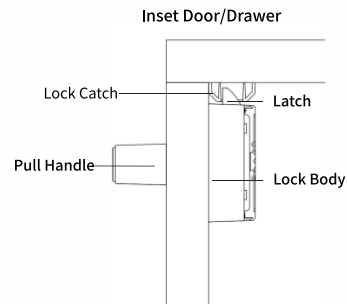
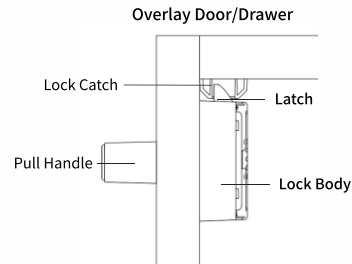
(Selected according to customer's actual requirements; not included in the standard configuration)

- * Adhesive-free glue (with auxiliary stickers)
- * Double-door stopper accessory kit (including 2 pieces of ST3x16 screws)
- * Secondary handle (including 2 pieces of M3x25 screws)
- * Extension cable (total length: 200mm)

Dimensional drawings



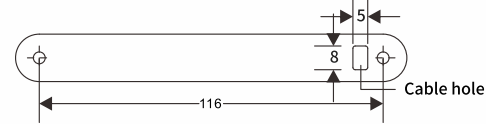
Assembling Drawing:



Installation Instructions:

1. Drilling Holes in the Panel

Drill 3 $\phi 4$ mm through-holes at appropriate positions (refer to the drilling auxiliary card, which can be placed horizontally or vertically; after positioning, expand the wire hole into an oblong shape).



Note: According to the actual situation of the drawer or cabinet door, arrange the relative positions of the handle, lock body, and lock catch based on the wire length (as shown in the figure above).

2. Installing the Handle

- ① Pass the wires of the handle through the middle cable hole from the outside of the panel in sequence.
- ② Align the screw posts of the handle with the upper and lower small holes, and fix them with 2 ST3X25 screws.

3. Installing the Lock Catch

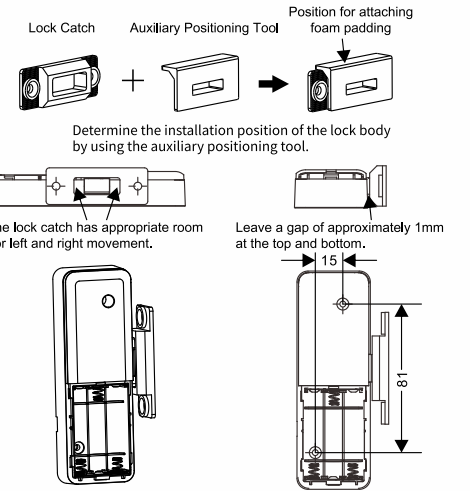
- ① Arrange the lock catch at a position where the bolt can catch it (refer to the figure on the right and use the provided positioning auxiliary tool).
- ② Fix the lock catch with 2 ST3X16 screws (or optional: adhesive-free glue).

4. Installing the Lock Body

- ① Connect the wire of the password lock panel to the terminal of the lock body wire. Store the excess wires in the wire slot, taking care not to press the wires or terminals.
- ② Arrange the lock body in a suitable position on the edge of the door panel in parallel, and fix it with 1 ST4X16 screw and 1 ST4X35 screw (or optional: adhesive-free glue).

5. Inspection & Confirmation

- ① Correctly install 3 AAA batteries (brand-new batteries are recommended) and attach the battery cover.
- ② After confirming that the fingerprint lock works normally, close the drawer or cabinet door.



Note: It is recommended to first mark the positions on the wood that correspond to the screw holes, then drill small holes. This will make it easier for the wood screws to be driven in.